

# 1



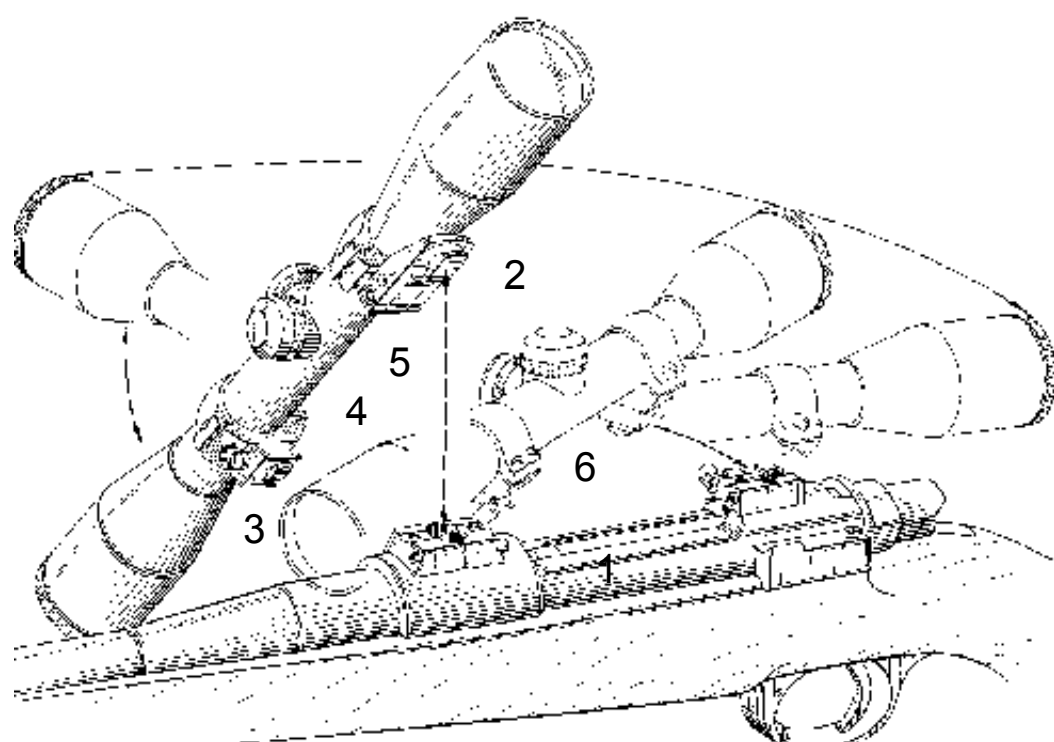
## EAW Pivot Mounts

### The mount of the future

In the beginning of the seventies, when the Suhler claw mount still was the "non plus ultra", nobody thought of the triumphal march of the pivot mounts since apart from the Steyr mount, nothing comparable was on the market.

The pivot mount with pivot pin lock and adjustment of vertical tolerances, invented by EAW, helped this idea on the road to success. More than 25 years later, it is a proven fact that the EAW pivot mount indeed and rightly was and still is "the mount of the future". The age of the pivot mount had dawned and every manufacturer who wants to keep up with the times now offers a pivot mount. Nevertheless, the EAW pivot mount still is as relevant as in those days. The construction which guarantees absolute shooting precision of the scope, even under hardest conditions, meets the highest standards demanded by technology and design even today.

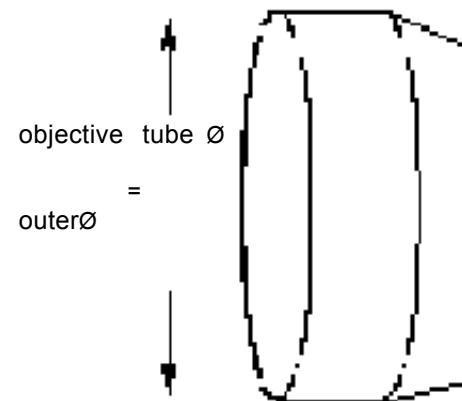
- 1 Adjustable front and rear foot.
  - 2 Large shear cross-section of the front foot (approx. 3 times larger than that of the claw mounts).
  - 3 Horizontal adjustment by means of the EAW pulling-down support.
  - 4 Vertical adjustment is made possible by exchanging the rear foot sub-base, and that in intervals of  $\pm 0,5$  mm.
  - 5 Adjustment of vertical tolerances by means of an adjustable front foot.
  - 6 Easy dismounting of the scope with one hand.
- All parts are made of steel and have polished and blued surfaces, or are available in the "STAINLESS LOOK" version.
  - Front and rear feet can be supplied in extended or straight version.
  - Attachment to the middle tube or to the objective and the middle tube by using rings or prisms.
  - Extension of the rear foot in the pivot pin lock.
  - Constant center point due to totally tension-free fit of the scope also after repeated mounting and dismounting of the scope.
  - Ideal for a second scope.
  - Favourable final price due to the very short mounting time.



# When to use which pivot mount?



The following table gives you an overall view on the various models of pivot mounts. The specifications are only standard values. Unfortunately, it is not possible to give you any definite values, because the weapons and scopes are differing too much. The reference numbers you will find on the following pages.



## Pivot Mounts for Bolt Action Rifles

Model	Indication for scopes <b>without</b> rail	objective tube Ø
Mod. 300		up to a Ø of 57 mm
Mod. 303		
Mod. 300 Magn.	with thin-wall middle tubes or for calibers 8 mm Magnum and bigger	
Mod. 303 Magn.		
Mod. 304		Ø 58-64 mm
Mod. 305		
Mod. 306*		
Mod. 307*		
Mod. 304 Magn.	with thin-wall middle tubes or for	Ø 58-64 mm
Mod. 305 Magn.	calibers 8 mm Magnum and bigger	
Mod. 306 Magn.*		
Mod. 307 Magn.*		

\* extra high for weapons, where otherwise the sight or the bolt action would be in the way!

Model	Indication for scopes <b>with</b> standard rail	objective tube Ø
Mod. 400	fitted to the middle tube rail	up to a Ø of 64 mm
Mod. 403		

Model	Indication for <b>Zeiss VM/ZM scopes</b>	
Mod. 1400	fitted to the middle tube rail	all VM/ZM scopes
Mod. 1403		

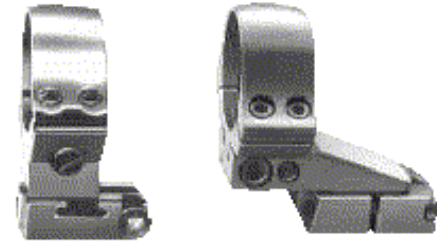
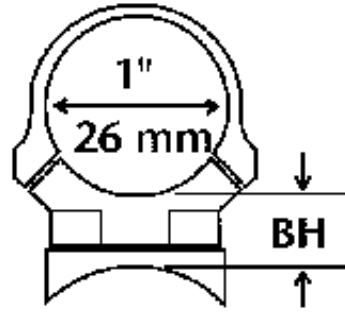
Model	Indication
XS version	for calibers 9.3 and bigger used with heavy scopes  With <b>Swarovski scope LRS</b> absolutely necessary.

# EAW Pivot Mounts for Bolt Action Rifles

Complete Mounts Ø 1"/26 mm  
(Spare parts you will find on page 90)

## Montages à pivot EAW pour carabines à répétition

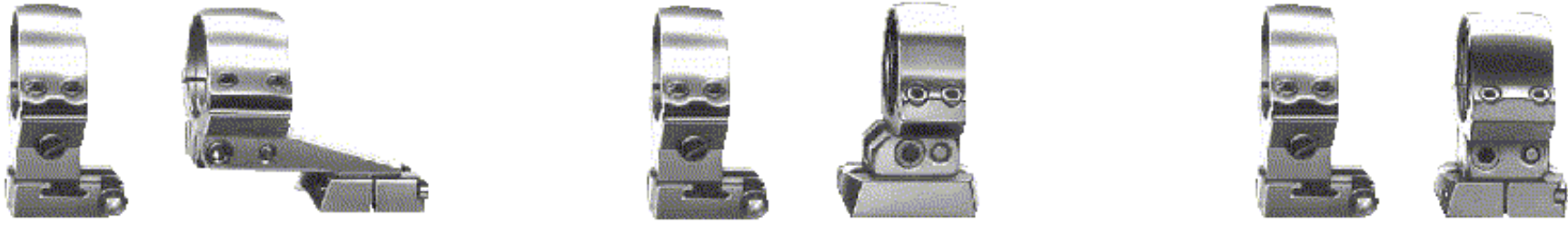
Montages complets Ø1"/26 mm  
(Pour pièces de rechange, voir page 90)



	Model/Modèle	300	304	307 <sup>⚡</sup>
	<b>BH</b> Height above receiver head Hauteur sur la tête de boîte de culasse	17 mm	19 mm	22 mm
		Ref.	Ref.	Ref.
All small-bore rifles (KK) with 11 mm prism	screws having metric thread <sup>⚡</sup>	300-00001	304-00001	307-00001
Anschütz KK and others with 11mm prism	screws having English thread <sup>⚡</sup>	300-00026	304-00026	307-00026
Antonio Zoli	1900	300-00305	304-00305	307-00305
	drilling, BBF, SP 90-95			
<b>A Square</b>	bolt action rifle/répét. 416 Rigby			
<b>Blaser</b>	R 93			
<b>BRNO</b>	ZKM, Fox, CZ 527, Hornet, 16 mm prism/e			
	ZKK, 600, 601, 602, CZ 550, CZ 537, 19 mm prism/e			
<b>BSA</b>	bolt action rifle/répét.			
<b>Carl Gustav</b>	1900, 1896, without bulb/sans œillette			
	1900, 1896, with bulb/avec œillette			
	2000			
	3000			
	4000			
<b>Chapuis</b>	Gévaudan 2000			
	double rifle/carabine juxtaposée			
<b>Churchill</b>	High London			
<b>CZ</b>	see/voir BRNO			
<b>Dumoulin</b>	A-2000, Fortress			
<b>Fias</b>	Churchill			
<b>FN Browning</b>	BAR I, BAR II, CBL, Acera			
	BLR, CLR 81			
	Browning Mauser Sniper			
	A-bolt			
	European			
	1885 with octag. barrel/avec canon octog.			
<b>Grünig &amp; Elmiger</b>	bolt action rifle/répét.			
<b>Heckler &amp; Koch</b>	SL 7 and others/et autres			
	SLB 2000			
<b>Helenic</b>	bolt action rifle/répét.			
<b>Heym</b>	SR 20			
	SR 30			
	SR 40			
	Express			
	Varmint			
	BBF 22 S 2, 25			
<b>Kepplinger</b>	Jägerbüchse			
<b>Kettner</b>	bolt action rifle/répét. L 83			
	BBF 2000			
<b>Kind</b>	Hubertus B M 113 b.a. rifle/répét.			
<b>Konksberg</b>	bolt action rifle/répét. 393			
<b>Krico</b>	700, 900, 902 Deluxe			
	300, 400			
	600			
<b>Krieghoff</b>	drilling			
<b>Lakelander</b>	bolt action rifle/répét. 389			
<b>Luger</b>	bolt action rifle/répét.			
	Mini			
<b>Marlin</b>	94, 336, 444 CL, No. 9, AS 30, 922, 45			
	455			
	MR 7			
<b>Mauser</b>	2000			
	4000			
	66			
	K 98, without bulb/sans œillette			
	K 98, with bulb/avec œillette			
	M 98			
	77			
	226 Titan			
	225 Titan			
	201 KK			
	86			
	M 94, M 96 up to serial no. → 96011999			
	M 96 from serial no. ↗ 96012000, M 97			
<b>McMillan</b>	M 88 rear dist. betw. boreholes 21,9 mm			
	M 88 rear dist. betw. boreholes 15,87 mm			

<sup>⚡</sup> The Mod. 307 is also available in the heights 25 and 28 mm. Please indicate accordingly.  
Le mod. 307 est aussi disponible dans la hauteur 25 et 28. Veuillez l'indiquer conformément.  
BBF = mixed barrel guns/fusils mixtes superposés

↓ pivot mount with lever  
montage à pivot à levier  
KK = small bore rifles/armes de petit calibre



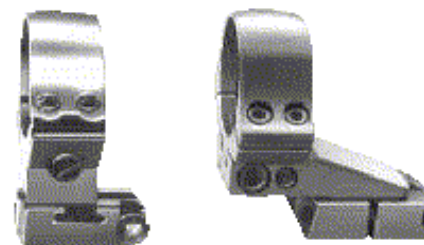
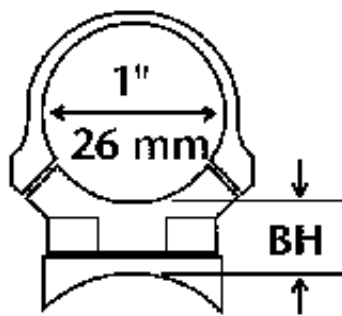
300 Magn.	304 Magn.	307 Magn. ↗	303	305	306	303 Magn.	305 Magn.	306 Magn.
17 mm	19 mm	22 mm	17 mm	19 mm	22 mm	17 mm	19 mm	22 mm
Ref.	Ref.	Ref.	Ref.	Ref.	Ref.	Ref.	Ref.	Ref.
-	-	-	303-00001	305-00001	306-00001	-	-	-
-	-	-	303-00026	305-00026	306-00026	-	-	-
300-10305	304-10305	307-10305	303-00305	305-00305	306-00305	303-10305	305-10305	306-10305
			<i>Montage à pivot à levier en pièces détachées</i>					
			<i>Montage à pivot version XS</i>					
			<i>Montage à pivot à levier en pièces détachées</i>					
-	-	-	303-00041	305-00041	306-00041	-	-	-
↓ 500-10047	↓ 504-10047	-	-	-	-	-	-	-
300-10027	304-10027	307-10027	303-00027	305-00027	306-00027	303-10027	305-10027	306-10027
300-10005	304-10005	307-10005	303-00005	305-00005	306-00005	303-10005	305-10005	306-10005
300-10105	304-10105	307-10105	303-00105	305-00105	306-00105	303-10105	305-10105	306-10105
300-10094	304-10094	307-10094	303-00094	305-00094	306-00094	303-10094	305-10094	306-10094
300-10215	304-10215	307-10215	303-00215	305-00215	306-00215	303-10215	305-10215	306-10215
300-10259	304-10259	307-10259	303-00259	305-00259	306-00259	303-10259	305-10259	306-10259
300-10250	304-10250	307-10250	303-00250	305-00250	306-00250	303-10250	305-10250	306-10250
-	-	-	-	-	-	-	-	-
300-10123	304-10123	307-10123	303-00123	305-00123	306-00123	303-10123	305-10123	306-10123
300-10165	304-10165	307-10165	303-00165	305-00165	306-00165	303-10165	305-10165	306-10165
300-10112	304-10112	307-10112	303-00112	305-00112	306-00112	303-10112	305-10112	306-10112
300-10003	304-10003	307-10003	303-00003	305-00003	306-00003	303-10003	305-10003	306-10003
300-10103	304-10103	307-10103	303-00103	305-00103	306-00103	303-10103	305-10103	306-10103
300-10004	304-10004	307-10004	303-00004	305-00004	306-00004	303-10004	305-10004	306-10004
300-10002	304-10002	307-10002	303-00002	305-00002	306-00002	303-10002	305-10002	306-10002
300-10143	304-10143	307-10143	303-00143	305-00143	306-00143	303-10143	305-10143	306-10143
300-10162	304-10162	307-10162	-	-	-	-	-	-
300-10089	304-10089	307-10089	303-00089	305-00089	306-00089	303-10089	305-10089	306-10089
-	-	-	303-00087	-	306-00087	303-10087	-	306-10087
300-10187	304-10187	307-10187	303-00187	305-00187	306-00187	303-10187	305-10187	306-10187
300-10104	304-10104	307-10104	303-00104	305-00104	306-00104	303-10104	305-10104	306-10104
300-10060	304-10060	307-10060	303-00060	305-00060	306-00060	303-10060	305-10060	306-10060
300-10206	304-10206	307-10206	303-00206	305-00206	306-00206	303-10206	305-10206	306-10206
-	-	-	303-00108	305-00108	306-00108	-	-	-
300-10120	304-10120	307-10120	303-00120	305-00120	306-00120	300-10120	305-10120	306-10120
300-10160	304-10160	307-10160	303-00160	305-00160	306-00160	303-10160	305-10160	306-10160
			<i>Montage à pivot à levier en pièces détachées</i>					
300-10128	304-10128	307-10128	303-00128	305-00128	306-00128	303-10128	305-10128	306-10128
300-10149	304-10149	307-10149	303-00149	305-00149	306-00149	303-10149	305-10149	306-10149
			<i>Montage à pivot à levier en pièces détachées</i>					
300-10142	304-10142	307-10142	303-00142	305-00142	306-00142	303-10142	305-10142	306-10142
300-10239	304-10239	307-10239	303-00239	305-00239	306-00239	303-10239	305-10239	306-10239
300-10006	304-10006	307-10006	303-00006	305-00006	306-00006	303-10006	305-10006	306-10006
-	-	-	303-00066	305-00066	306-00066	-	-	-
300-10106	304-10106	307-10106	303-00106	305-00106	306-00106	303-10106	305-10106	306-10106
			<i>Montage à pivot à levier en pièces détachées</i>					
300-10139	304-10139	307-10139	303-00139	305-00139	306-00139	303-10139	305-10139	306-10139
300-10205	304-10205	307-10205	303-00205	305-00205	306-00205	303-10205	305-10205	306-10205
-	-	-	303-00207	305-00207	306-00207	-	-	-
300-10036	304-10036	307-10036	303-00036	305-00036	306-00036	303-10036	305-10036	306-10036
300-10111	304-10111	307-10111	303-00111	305-00111	306-00111	303-10111	305-10111	306-10111
300-10169	304-10169	307-10169	303-00169	305-00169	306-00169	303-10169	305-10169	306-10169
300-10007	304-10007	307-10007	303-00007	305-00007	306-00007	303-10007	305-10007	306-10007
-	-	-	303-00008	305-00008	306-00008	-	-	-
300-10009	304-10009	-	303-00009	305-00009	-	303-10009	305-10009	-
300-10010	304-10010	307-10010	303-00010	305-00010	306-00010	303-10010	305-10010	306-10010
300-10110	304-10110	307-10110	303-00110	305-00110	306-00110	303-10110	305-10110	306-10110
300-10098	304-10098	307-10098	303-00098	305-00098	306-00098	303-10098	305-10098	306-10098
300-10063	304-10063	307-10063	303-00063	305-00063	306-00063	303-10063	305-10063	306-10063
300-10122	304-10122	307-10122	303-00122	305-00122	306-00122	303-10122	305-10122	306-10122
300-10145	304-10145	307-10145	303-00145	305-00145	306-00145	303-10145	305-10145	306-10145
300-10126	304-10126	307-10126	303-00126	305-00126	306-00126	303-10126	305-10126	306-10126
300-10129	304-10129	307-10129	303-00129	305-00129	306-00129	303-10129	305-10129	306-10129
300-10156	304-10156	307-10156	303-00156	305-00156	306-00156	303-10156	305-10156	306-10156
300-10256	304-10256	307-10256	303-00256	305-00256	306-00256	303-10256	305-10256	306-10256
300-10144	304-10144	307-10144	303-00144	305-00144	306-00144	303-10144	305-10144	306-10144
300-10146	304-10146	307-10146	303-00146	305-00146	306-00146	303-10146	305-10146	306-10146

# EAW Pivot Mounts for Bolt Action Rifles

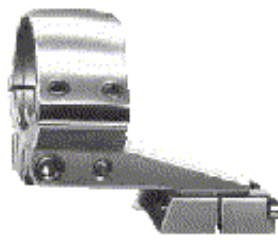
Complete Mounts Ø 1"/26 mm  
(Spare parts you will find on page 90)

## Montages à pivot EAW pour carabines à répétition

Montages complets Ø1"/26 mm  
(Pour pièces de rechange, voir page 90)



	Model/Modèle	300	304	307 <sup>↙</sup>
BH	Height above receiver head Hauteur sur la tête de boîte de culasse	17 mm	19 mm	22 mm
		Ref.	Ref.	Ref.
Musgrave	M 83, 90, 94	300-00124	304-00124	307-00124
Parker Hale	K 98Pls. indicate rear dist. betw. boreholes→ Safari 1200	300-00184 300-00011	304-00184 304-00011	307-00184 307-00011
Remington	Midland 700, 78 742, 760 600, 660 4/7400, 6/7600 Seven 40-XB	300-00062 300-00012 300-00013 300-00032 300-00074 300-00078 300-00079	304-00062 304-00012 304-00013 304-00032 304-00074 304-00078 304-00079	307-00062 307-00012 307-00013 307-00032 307-00074 307-00078 307-00079
Ruger	44 Magnum M1 with barrel rib/avec bande M77 Round Top/Boîte ronde	300-00028 ↓ 500-00071 ↓ 500-00080	304-00028 ↓ 504-00071 ↓ 504-00080	307-00028 - -
RWS	M 89 (Sicherheitsbüchse from/de DN)	300-00223	304-00223	307-00223
Sabatti	Roverbolt action rifle/répét.	300-00155	304-00155	307-00155
Sako	75 Vixen, L 461, S 491, A I 75 Forester, Varmint, L 579, M 591, A II 75 Finnbear, L 61R, L691, M 995, A III/IV/V	300-00114 300-00214 300-00314	304-00114 304-00214 304-00314	307-00114 307-00214 307-00314
Santa Barbara	TRG 21/41, 22/42	300-00238	304-00238	307-00238
Sauer	bolt action rifle/répét. 80, 90, SSG 2000 SR 200 202 STR	300-00044 300-00015 300-00059 300-00659 ↓ 500-00959	304-00044 304-00015 304-00059 304-00659 ↓ 504-00959	307-00044 307-00015 307-00059 307-00659 -
Savage	drilling 3000 110, 112, 116 99 C	300-00016 300-00163	304-00016 304-00163	307-00016 307-00163
Schweizer Karabiner	31	300-00073	304-00073	307-00073
Schultz & Larsen	Mod. 84 68 DL, M 100	300-00084 300-00099	304-00084 304-00099	307-00084 307-00099
Shilen		300-00088	304-00088	307-00088
Smith & Wesson	1500	300-00091	304-00091	307-00091
Steyr	SL Mannlicher S, Jagdmatch L/SL, SBS 96 Mannlicher Schönauer 72 SSG, Sporter 18 mm prism/e Mannlicher M, Luxus L, M, S Mannlicher L Mannlicher Schönauer GK SBS 96 CSP L/M, Pro Hunter L/M SBS 96 CSP S, Pro Hunter S drilling	300-00017 300-00018 300-00019 300-00033 300-00086 300-00093 ↓ 500-00034 300-00202 300-00302	304-00017 304-00018 304-00019 304-00033 304-00086 304-00093 - 304-00202 304-00302	307-00017 307-00018 307-00019 307-00033 307-00086 307-00093 - 307-00202 307-00302
Suhler				
Tikka	M 76, M/LS 65, M/LS 55 558, 590, 658, 690, Pupular, Continental M 595 M 695	300-00038 300-00138 300-00538 300-00638	304-00038 304-00138 304-00538 304-00638	307-00038 307-00138 307-00538 307-00638
Tikka Italia	BBF 412, BDB 512			
Unique	Mod. T. G. C	300-00135	304-00135	307-00135
Varberger	M 717, 757, 777, Luxus	300-00154	304-00154	307-00154
Verney-Carron	Impact Auto	300-00405	304-00405	307-00405
Voere	2140 Titan I 2165, Kufstein, 2155 2145 Titan II Titan Menor 2185 Automat VEC 91	300-00020 300-00021 300-00045 300-00061 300-00141 300-00134	304-00020 304-00021 304-00045 304-00061 304-00141 304-00134	307-00020 307-00021 307-00045 307-00061 307-00141 307-00134
Walther	JR, JRS	300-00022	304-00022	307-00022
Weatherby	Mark V, Europa, 300, Vanguard Junior	300-00023 300-00058	304-00023 304-00058	307-00023 307-00058
Weihrauch	HW 60 KK	300-00153	304-00153	307-00153
Winchester	70 Standard, 770, Target 88, 100 70 Magn. - rear dist. betw.boreholes.Ø11mm 70 Magn. - rear dist. betw.bor.Ø8,3 mm, XTR	300-00024 300-00025 300-00029 300-00085	304-00024 304-00025 304-00029 304-00085	307-00024 307-00025 307-00029 307-00085
Zastava	70 Mini Mauser	300-00049 300-00107	304-00049 304-00107	307-00049 307-00107



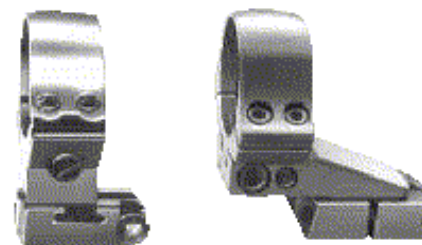
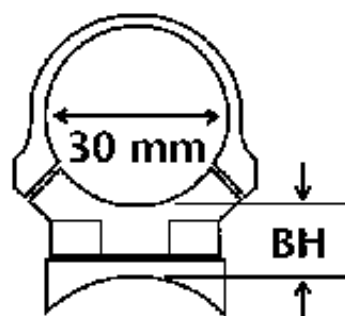
300 Magn. 17 mm	304 Magn. 19 mm	307 Magn. <sup>AR</sup> 22 mm	303 17 mm	305 19 mm	306 22 mm	303 Magn. 17 mm	305 Magn. 19 mm	306 Magn. 22 mm
Ref.	Ref.	Ref.	Ref.	Ref.	Ref.	Ref.	Ref.	Ref.
300-10124	304-10124	307-10124	303-00124	305-00124	306-00124	303-10124	305-10124	306-10124
300-10184	304-10184	307-10184	303-00184	305-00184	306-00184	303-10184	305-10184	306-10184
300-10011	304-10011	307-10011	303-00011	305-00011	306-00011	303-10011	305-10011	306-10011
300-10062	304-10062	307-10062	303-00062	305-00062	306-00062	303-10062	305-10062	306-10062
300-10012	304-10012	307-10012	303-00012	305-00012	306-00012	303-10012	305-10012	306-10012
300-10013	304-10013	307-10013	303-00013	305-00013	306-00013	303-10013	305-10013	306-10013
300-10032	304-10032	307-10032	303-00032	305-00032	306-00032	303-10032	305-10032	306-10032
300-10074	304-10074	307-10074	303-00074	305-00074	306-00074	303-10074	305-10074	306-10074
300-10078	304-10078	307-10078	303-00078	305-00078	306-00078	303-10078	305-10078	306-10078
300-10079	304-10079	307-10079	303-00079	305-00079	306-00079	303-10079	305-10079	306-10079
300-10028	304-10028	307-10028	303-00028	305-00028	306-00028	303-10028	305-10028	306-10028
-	-	-	-	-	-	-	-	-
↓ 500-10080	↓ 504-10080	-	↓ 503-00080	↓ 505-00080	-	↓ 503-10080	↓ 505-10080	-
300-10223	304-10223	307-10223	303-00223	305-00223	306-00223	303-10223	305-10223	306-10223
300-10155	304-10155	307-10155	303-00155	305-00155	306-00155	303-10155	305-10155	306-10155
300-10114	304-10114	307-10114	303-00114	305-00114	306-00114	303-10114	305-10114	306-10114
300-10214	304-10214	307-10214	303-00214	305-00214	306-00214	303-10214	305-10214	306-10214
300-10314	304-10314	307-10314	303-00314	305-00314	306-00314	303-10314	305-10314	306-10314
300-10238	304-10238	307-10238	303-00238	305-00238	306-00238	303-10238	305-10238	306-10238
300-10044	304-10044	307-10044	303-00044	305-00044	306-00044	303-10044	305-10044	306-10044
300-10015	304-10015	307-10015	303-00015	305-00015	306-00015	303-10015	305-10015	306-10015
300-10059	304-10059	307-10059	303-00059	305-00059	306-00059	303-10059	305-10059	306-10059
300-10659	304-10659	307-10659	303-00659	305-00659	306-00659	303-10659	305-10659	306-10659
-	-	-	-	-	-	-	-	-
<i>Montage à pivot à levier en pièces détachées</i>								
300-10016	304-10016	307-10016	303-00016	305-00016	306-00016	303-10016	305-10016	306-10016
300-10163	304-10163	307-10163	303-00163	305-00163	306-00163	303-10163	305-10163	306-10163
300-10073	304-10073	307-10073	303-00073	305-00073	306-00073	303-10073	305-10073	306-10073
300-10084	304-10084	307-10084	303-00084	305-00084	306-00084	303-10084	305-10084	306-10084
300-10099	304-10099	307-10099	303-00099	305-00099	306-00099	303-10099	305-10099	306-10099
300-10088	304-10088	307-10088	303-00088	305-00088	306-00088	303-10088	305-10088	306-10088
300-10091	304-10091	307-10091	303-00091	305-00091	306-00091	303-10091	305-10091	306-10091
-	-	-	303-00017	305-00017	306-00017	-	-	-
300-10018	304-10018	307-10018	303-00018	305-00018	306-00018	303-10018	305-10018	306-10018
300-10019	304-10019	307-10019	303-00019	305-00019	306-00019	303-10019	305-10019	306-10019
-	-	-	303-00033	305-00033	306-00033	-	-	-
300-10086	304-10086	307-10086	303-00086	305-00086	306-00086	303-10086	305-10086	306-10086
-	-	-	303-00093	305-00093	306-00093	-	-	-
-	-	-	-	-	-	-	-	-
300-10202	304-10202	307-10202	303-00202	305-00202	306-00202	303-10202	305-10202	306-10202
300-10302	304-10302	307-10302	303-00302	305-00302	306-00302	303-10302	305-10302	306-10302
<i>Montage à pivot à levier en pièces détachées</i>								
300-10038	304-10038	307-10038	303-00038	305-00038	306-00038	303-10038	305-10038	306-10038
300-10138	304-10138	307-10138	303-00138	305-00138	306-00138	303-10138	305-10138	306-10138
300-10538	304-10538	307-10538	303-00538	305-00538	306-00538	303-10538	305-10538	306-10538
300-10638	304-10638	307-10638	303-00638	305-00638	306-00638	303-10638	305-10638	306-10638
<i>Montage à pivot à levier en pièces détachées</i>								
300-10135	304-10135	307-10135	303-00135	305-00135	306-00135	303-10135	305-10135	306-10135
300-10154	304-10154	307-10154	303-00154	305-00154	306-00154	303-10154	305-10154	306-10154
300-10405	304-10405	307-10405	303-00405	305-00405	306-00405	303-10405	305-10405	306-10405
300-10020	304-10020	307-10020	303-00020	305-00020	306-00020	303-10020	305-10020	306-10020
300-10021	304-10021	307-10021	303-00021	305-00021	306-00021	303-10021	305-10021	306-10021
300-10045	304-10045	307-10045	303-00045	305-00045	306-00045	303-10045	305-10045	306-10045
-	-	-	303-00061	305-00061	306-00061	-	-	-
300-10141	304-10141	307-10141	303-00141	305-00141	306-00141	303-10141	305-10141	306-10141
300-10134	304-10134	307-10134	303-00134	305-00134	306-00134	303-10134	305-10134	306-10134
300-10022	304-10022	307-10022	303-00022	305-00022	306-00022	303-10022	305-10022	306-10022
300-10023	304-10023	307-10023	303-00023	305-00023	306-00023	303-10023	305-10023	306-10023
-	-	-	303-00058	305-00058	306-00058	-	-	-
300-10153	304-10153	307-10153	303-00153	305-00153	306-00153	303-10153	305-10153	306-10153
300-10024	304-10024	307-10024	303-00024	305-00024	306-00024	303-10024	305-10024	306-10024
300-10025	304-10025	307-10025	303-00025	305-00025	306-00025	303-10025	305-10025	306-10025
300-10029	304-10029	307-10029	303-00029	305-00029	306-00029	303-10029	305-10029	306-10029
300-10085	304-10085	307-10085	303-00085	305-00085	306-00085	303-10085	305-10085	306-10085
300-10049	304-10049	307-10049	303-00049	305-00049	306-00049	303-10049	305-10049	306-10049
-	-	-	303-00107	305-00107	306-00107	-	-	-

# EAW Pivot Mounts for Bolt Action Rifles

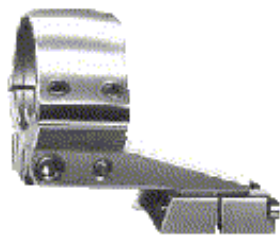
Complete Mounts Ø 30 mm  
(Spare parts you will find on page 90)

## Montages à pivot EAW pour carabines à répétition

Montages complets Ø30 mm  
(Pour pièces de rechange, voir page 90)



	Model/Modèle	300	304	307 <sup>↗</sup>
	BH Height above receiver head Hauteur sur la tête de boîte de culasse	17 mm	19 mm	22 mm
		Ref.	Ref.	Ref.
All small-bore rifles (KK) with 11 mm prism	screws having metric thread <sup>↖</sup>	300-05001	304-05001	307-05001
Anschütz KK and others with 11mm prism	screws having English thread <sup>↖</sup>	300-05026	304-05026	307-05026
Antonio Zoli	1900	300-05305	304-05305	307-05305
	drilling, BBF, SP 90-95			
	bolt action rifle/répét. 416 Rigby			
A Square	R 93			
Blaser	ZKM, Fox, CZ527, Hornet, 16 mm prism/e			
BRNO	ZKK, 600, 601, 602, CZ550, CZ537, 19 mm prism/e			
	bolt action rifle/répét.			
BSA	1900, 1896, without bulb/sans œillette			
Carl Gustav	1900, 1896, with bulb/avec œillette			
	2000			
	3000			
	4000			
Chapuis	Gévaudan 2000			
	double rifle/carabine juxtaposée			
Churchill	High London			
CZ	see/voir BRNO			
Dumoulin	A-2000, Fortress			
Fias	Churchill			
FN Browning	BAR I, BAR II, CBL, Acera			
	BLR, CLR 81			
	Browning Mauser Sniper			
	A-bolt			
	European			
	1885, with octag. barrel/avec canon octog.			
Grünig & Elmiger	bolt action rifle/répét.			
Heckler & Koch	SL 7 and others/et autres			
	SLB 2000			
Helenic	bolt action rifle/répét.			
Heym	SR 20			
	SR 30			
	SR 40			
	Express			
	Varmint			
	BBF 22 S 2, 25			
Kepplinger	Jägerbüchse			
Kettner	bolt action rifle/répét. L 83			
	BBF 2000			
Kind	Hubertus B M 113 b.a. rifle/répét.			
Konksberg	bolt action rifle/répét. 393			
Krico	700, 900, 902 Deluxe			
	300, 400			
	600			
Krieghoff	drilling			
Lakelander	bolt action rifle/répét. 389			
Luger	bolt action rifle/répét.			
	Mini			
Marlin	94, 336, 444 CL, No. 9, AS 30, 922, 45			
	455			
	MR 7			
Mauser	2000			
	4000			
	66			
	K 98, without bulb/sans œillette			
	K 98, with bulb/avec œillette			
	M 98			
	77			
	226 Titan			
	225 Titan			
	201 KK			
	86			
	M 94, M 96 up to serial no. → 96011999			
	M 96 from serial no. ↗ 96012000, M 97			
McMillan	M 88 rear dist. betw. boreholes· 21,9 mm			
	M 88 rear dist. betw. boreholes· 15,87 mm			



300 Magn.	304 Magn.	307 Magn. <sup>⊗</sup>	303	305	306	303 Magn.	305 Magn.	306 Magn.
17 mm	19 mm	22 mm	17 mm	19 mm	22 mm	17 mm	19 mm	22 mm
Ref.	Ref.	Ref.	Ref.	Ref.	Ref.	Ref.	Ref.	Ref.
-	-	-	303-05001	305-05001	306-05001	-	-	-
-	-	-	303-05026	305-05026	306-05026	-	-	-
300-15305	304-15305	307-15305	303-05305	305-05305	306-05305	303-15305	305-15305	306-15305
-	-	-	<i>Montage à pivot à levier en pièces détachées</i>			-	-	-
-	-	-	<i>Montage à pivot version XS</i>			-	-	-
-	-	-	<i>Montage à pivot à levier en pièces détachées</i>			-	-	-
↓ 500-15047	↓ 504-15047	-	303-05041	305-05041	306-05041	-	-	-
300-15027	304-15027	307-15027	303-05027	305-05027	306-05027	303-15027	305-15027	306-15027
300-15005	304-15005	307-15005	303-05005	305-05005	306-05005	303-15005	305-15005	306-15005
300-15105	304-15105	307-15105	303-05105	305-05105	306-05105	303-15105	305-15105	306-15105
300-15094	304-15094	307-15094	303-05094	305-05094	306-05094	303-15094	305-15094	306-15094
300-15215	304-15215	307-15215	303-05215	305-05215	306-05215	303-15215	305-15215	306-15215
300-15259	304-15259	307-15259	303-05259	305-05259	306-05259	303-15259	305-15259	306-15259
300-15250	304-15250	307-15250	303-05250	305-05250	306-05250	303-15250	305-15250	306-15250
-	-	-	-	-	-	-	-	-
300-15123	304-15123	307-15123	303-05123	305-05123	306-05123	303-15123	305-15123	306-15123
300-15165	304-15165	307-15165	303-05165	305-05165	306-05165	303-15165	305-15165	306-15165
300-15112	304-15112	307-15112	303-05112	305-05112	306-05112	303-15112	305-15112	306-15112
300-15003	304-15003	307-15003	303-05003	305-05003	306-05003	303-15003	305-15003	306-15003
300-15103	304-15103	307-15103	303-05103	305-05103	306-05103	303-15103	305-15103	306-15103
300-15004	304-15004	307-15004	303-05004	305-05004	306-05004	303-15004	305-15004	306-15004
300-15002	304-15002	307-15002	303-05002	305-05002	306-05002	303-15002	305-15002	306-15002
300-15143	304-15143	307-15143	303-05143	305-05143	306-05143	303-15143	305-15143	306-15143
300-15162	304-15162	307-15162	-	-	-	-	-	-
300-15089	304-15089	307-15089	303-05089	305-05089	306-05089	303-15089	305-15089	306-15089
-	-	-	303-05087	-	306-05087	303-15087	-	306-15087
300-15187	304-15187	307-15187	303-05187	305-05187	306-05187	303-15187	305-15187	306-15187
300-15104	304-15104	307-15104	303-05104	305-05104	306-05104	303-15104	305-15104	306-15104
300-15060	304-15060	307-15060	303-05060	305-05060	306-05060	303-15060	305-15060	306-15060
300-15206	304-15206	307-15206	303-05206	305-05206	306-05206	303-15206	305-15206	306-15206
-	-	-	303-05108	305-05108	306-05108	-	-	-
300-15120	304-15120	307-15120	303-05120	305-05120	306-05120	303-15120	305-15120	306-15120
300-15160	304-15160	307-15160	303-05160	305-05160	306-05160	303-15160	305-15160	306-15160
300-15128	304-15128	307-15128	<i>Montage à pivot à levier en pièces détachées</i>			303-15128	305-15128	306-15128
300-15149	304-15149	307-15149	303-05149	305-05149	306-05149	303-15149	305-15149	306-15149
300-15142	304-15142	307-15142	<i>Montage à pivot à levier en pièces détachées</i>			303-15142	305-15142	306-15142
300-15239	304-15239	307-15239	303-05239	305-05239	306-05239	303-15239	305-15239	306-15239
300-15006	304-15006	307-15006	303-05006	305-05006	306-05006	303-15006	305-15006	306-15006
-	-	-	303-05066	305-05066	306-05066	-	-	-
300-15106	304-15106	307-15106	303-05106	305-05106	306-05106	303-15106	305-15106	306-15106
300-15139	304-15139	307-15139	<i>Montage à pivot à levier en pièces détachées</i>			303-15139	305-15139	306-15139
300-15205	304-15205	307-15205	303-05139	305-05139	306-05139	303-15205	305-15205	306-15205
-	-	-	303-05205	305-05205	306-05205	-	-	-
300-15036	304-15036	307-15036	303-05207	305-05207	306-05207	303-15036	305-15036	306-15036
300-15111	304-15111	307-15111	303-05036	305-05036	306-05036	303-15111	305-15111	306-15111
300-15169	304-15169	307-15169	303-05111	305-05111	306-05111	303-15169	305-15169	306-15169
300-15007	304-15007	307-15007	303-05169	305-05169	306-05169	303-15007	305-15007	306-15007
-	-	-	303-05007	305-05007	306-05007	-	-	-
300-15009	304-15009	-	303-05008	305-05008	306-05008	303-15009	305-15009	-
300-15010	304-15010	307-15010	303-05009	305-05009	-	303-15010	305-15010	306-15010
300-15110	304-15110	307-15110	303-05010	305-05010	306-05010	303-15110	305-15110	306-15110
300-15098	304-15098	307-15098	303-05010	305-05010	306-05010	303-15098	305-15098	306-15098
300-15063	304-15063	307-15063	303-05098	305-05098	306-05098	303-15063	305-15063	306-15063
300-15122	304-15122	307-15122	303-05063	305-05063	306-05063	303-15122	305-15122	306-15122
300-15145	304-15145	307-15145	303-05122	305-05122	306-05122	303-15145	305-15145	306-15145
300-15126	304-15126	307-15126	303-05145	305-05145	306-05145	303-15126	305-15126	306-15126
300-15129	304-15129	307-15129	303-05126	305-05126	306-05126	303-15129	305-15129	306-15129
300-15156	304-15156	307-15156	303-05129	305-05129	306-05129	303-15156	305-15156	306-15156
300-15256	304-15256	307-15256	303-05156	305-05156	306-05156	303-15256	305-15256	306-15256
300-15144	304-15144	307-15144	303-05129	305-05129	306-05129	303-15144	305-15144	306-15144
300-15146	304-15146	307-15146	303-05156	305-05156	306-05156	303-15146	305-15146	306-15146
			303-05256	305-05256	306-05256			
			303-05144	305-05144	306-05144			
			303-05146	305-05146	306-05146			

⊗ Toutes armes de petit calibre (KK) à prisme de 11 mm, avec vis à filetage métrique  
 ⊕ KK Anschütz et autres à prisme de 11 mm, avec vis à filetage américain

• distance entre les taraudages AR  
 → jusqu'au no. de série

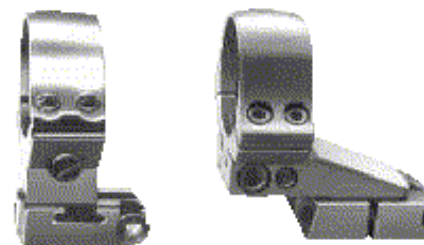
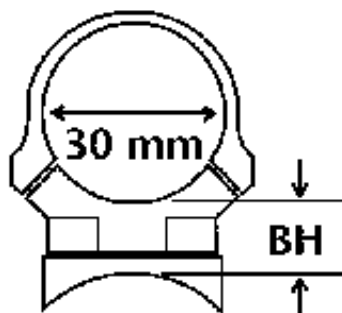
⊗ à partir du no. de série

# EAW Pivot Mounts for Bolt Action Rifles

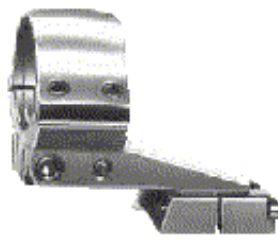
Complete Mounts Ø 30 mm  
(Spare parts you will find on page 90)

## Montages à pivot EAW pour carabines à répétition

Montages complets Ø30 mm  
(Pour pièces de rechange, voir page 90)



	Model/Modèle	300	304	307 <sup>↗</sup>
BH	Height above receiver head Hauteur sur la tête de boîte de culasse	17 mm	19 mm	22 mm
		Ref.	Ref.	Ref.
Musgrave	M 83, 90, 94	300-05124	304-05124	307-05124
	K 98Pls. indicate rear dist. betw. boreh.→	300-05184	304-05184	307-05184
Parker Hale	Safari 1200	300-05011	304-05011	307-05011
	Midland	300-05062	304-05062	307-05062
Remington	700, 78	300-05012	304-05012	307-05012
	742, 760	300-05013	304-05013	307-05013
	600, 660	300-05032	304-05032	307-05032
	4/7400, 6/7600	300-05074	304-05074	307-05074
	Seven	300-05078	304-05078	307-05078
	40-XB	300-05079	304-05079	307-05079
Ruger	44 Magnum	300-05028	304-05028	307-05028
	M1 with barrel rib/avec bande	↓ 500-05071	↓ 504-05071	-
	M77 Round Top/Boîte ronde, 12 mmprism/e	↓ 500-05080	↓ 504-05080	-
RWS	M 89 (Sicherheitsbüchse from/de.DN)	300-05223	304-05223	307-05223
Sabatti	Roverbolt action rifle/répét.	300-05155	304-05155	307-05155
Sako	75 Vixen, L 461, S 491, A I	300-05114	304-05114	307-05114
	75 Forester, Varmint, L 579, M 591, A II	300-05214	304-05214	307-05214
	75 Finnbear, L 61R, L691, M 995, A III/IV/V	300-05314	304-05314	307-05314
	TRG 21/41, 22/42	300-05238	304-05238	307-05238
Santa Barbara	bolt action rifle/répét.	300-05044	304-05044	307-05044
Sauer	80, 90, SSG 2000	300-05015	304-05015	307-05015
	SR 200	300-05059	304-05059	307-05059
	202	300-05659	304-05659	307-05659
	STR	↓ 500-05959	↓ 504-05959	-
	drilling 3000	Pivot mount with lever composed of single parts		
Savage	110, 112, 116	300-05016	304-05016	307-05016
	99 C	300-05163	304-05163	307-05163
Schweizer Karabiner	31	300-05073	304-05073	307-05073
Schultz & Larsen	Mod. 84	300-05084	304-05084	307-05084
	68 DL, M 100	300-05099	304-05099	307-05099
Shilen		300-05088	304-05088	307-05088
Smith & Wesson	1500	300-05091	304-05091	307-05091
Steyr	Mannlicher SL	300-05017	304-05017	307-05017
	Mannlicher S, Jagdmatch L/SL, SBS 96	300-05018	304-05018	307-05018
	Mannlicher Schönauer 72	300-05019	304-05019	307-05019
	SSG, Sporter 18 mm prism/e	300-05033	304-05033	307-05033
	Mannlicher M, Luxus L, M, S	300-05086	304-05086	307-05086
	Mannlicher L	300-05093	304-05093	307-05093
	Mannlicher Schönauer GK	↓ 500-05034	-	-
	SBS 96 CSP L/M, Pro Hunter S/M	300-05202	304-05202	307-05202
	SBS 96 CSP S, Pro Hunter S	300-05302	304-05302	307-05302
Suhler	drilling	Pivot mount with lever composed of single parts		
Tikka	M 76, M/LS 65, M/LS 55	300-05038	304-05038	307-05038
	558, 590, 658, 690, Pupular, Continental	300-05138	304-05138	307-05138
	M 595	300-05538	304-05538	307-05538
	M 695	300-05638	304-05638	307-05638
Tikka Italia	BBF 412, BDB 512	Pivot mount with lever composed of single parts		
Unique	Mod. T.G.C	300-05135	304-05135	307-05135
Varberger	M 717, 757, 777, Luxus	300-05154	304-05154	307-05154
Verney-Carron	Impact Auto	300-05405	304-05405	307-05405
Voere	2140, Titan I	300-05020	304-05020	307-05020
	2165, Kufstein, 2155	300-05021	304-05021	307-05021
	2145, Titan II	300-05045	304-05045	307-05045
	Titan Menor	300-05061	304-05061	307-05061
	2185 Automat	300-05141	304-05141	307-05141
	VEC 91	300-05134	304-05134	307-05134
Walther	JR, JRS	300-05022	304-05022	307-05022
Weatherby	Mark V, Europa, 300, Vanguard	300-05023	304-05023	307-05023
	Junior	300-05058	304-05058	307-05058
Weihrauch	HW 60 KK	300-05153	304-05153	307-05153
Winchester	70 Standard, 770, Target	300-05024	304-05024	307-05024
	88, 100	300-05025	304-05025	307-05025
	70 Magn. - rear dist. betw. boreholes ⌀ 11 mm	300-05029	304-05029	307-05029
	70 Magn. - rear dist. betw. bor. ⌀ 8,3 mm, XTR	300-05058	304-05058	307-05058
Zastava	70	300-05049	304-05049	307-05049
	Mini Mauser	300-05107	304-05107	307-05107



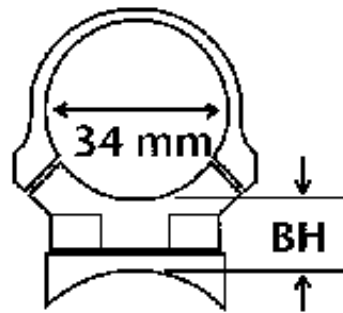
300 Magn. 17 mm	304 Magn. 19 mm	307 Magn. <sup>↗</sup> 22 mm	303 17 mm	305 19 mm	306 22 mm	303 Magn. 17 mm	305 Magn. 19 mm	306 Magn. 22 mm
Ref.	Ref.	Ref.	Ref.	Ref.	Ref.	Ref.	Ref.	Ref.
300-15124	304-15124	307-15124	303-05124	305-05124	306-05124	303-15124	305-15124	306-15124
300-15184	304-15184	307-15184	303-05184	305-05184	306-05184	303-15184	305-15184	306-15184
300-15011	304-15011	307-15011	303-05011	305-05011	306-05011	303-15011	305-15011	306-15011
300-15062	304-15062	307-15062	303-05062	305-05062	306-05062	303-15062	305-15062	306-15062
300-15012	304-15012	307-15012	303-05012	305-05012	306-05012	303-15012	305-15012	306-15012
300-15013	304-15013	307-15013	303-05013	305-05013	306-05013	303-15013	305-15013	306-15013
300-15032	304-15032	307-15032	303-05032	305-05032	306-05032	303-15032	305-15032	306-15032
300-15074	304-15074	307-15074	303-05074	305-05074	306-05074	303-15074	305-15074	306-15074
300-15078	304-15078	307-15078	303-05078	305-05078	306-05078	303-15078	305-15078	306-15078
300-15079	304-15079	307-15079	303-05079	305-05079	306-05079	303-15079	305-15079	306-15079
300-15028	304-15028	307-15028	303-05028	305-05028	306-05028	303-15028	305-15028	306-15028
-	-	-	-	-	-	-	-	-
↓ 500-15080	↓ 504-15080	-	↓ 503-05080	↓ 505-05080	-	↓ 503-15080	↓ 505-15080	-
300-15223	304-15223	307-15223	303-05223	305-05223	306-05223	303-15223	305-15223	306-15223
300-15155	304-15155	307-15155	303-05155	305-05155	306-05155	303-15155	305-15155	306-15155
300-15114	304-15114	307-15114	303-05114	305-05114	306-05114	303-15114	305-15114	306-15114
300-15214	304-15214	307-15214	303-05214	305-05214	306-05214	303-15214	305-15214	306-15214
300-15314	304-15314	307-15314	303-05314	305-05314	306-05314	303-15314	305-15314	306-15314
300-15238	304-15238	307-15238	303-05238	305-05238	306-05238	303-15238	305-15238	306-15238
300-15044	304-15044	307-15044	303-05044	305-05044	306-05044	303-15044	305-15044	306-15044
300-15015	304-15015	307-15015	303-05015	305-05015	306-05015	303-15015	305-15015	306-15015
300-15059	304-15059	307-15059	303-05059	305-05059	306-05059	303-15059	305-15059	306-15059
300-15659	304-15659	307-15659	303-05659	305-05659	306-05659	303-15659	305-15659	306-15659
-	-	-	-	-	-	-	-	-
300-15016	304-15016	307-15016	303-05016	305-05016	306-05016	303-15016	305-15016	306-15016
300-15163	304-15163	307-15163	303-05163	305-05163	306-05163	303-15163	305-15163	306-15163
300-15073	304-15073	307-15073	303-05073	305-05073	306-05073	303-15073	305-15073	306-15073
300-15084	304-15084	307-15084	303-05084	305-05084	306-05084	303-15084	305-15084	306-15084
300-15099	304-15099	307-15099	303-05099	305-05099	306-05099	303-15099	305-15099	306-15099
300-15088	304-15088	307-15088	303-05088	305-05088	306-05088	303-15088	305-15088	306-15088
300-15091	304-15091	307-15091	303-05091	305-05091	306-05091	303-15091	305-15091	306-15091
-	-	-	303-05017	305-05017	306-05017	-	-	-
300-15018	304-15018	307-15018	303-05018	305-05018	306-05018	303-15018	305-15018	306-15018
300-15019	304-15019	307-15019	303-05019	305-05019	306-05019	303-15019	305-15019	306-15019
-	-	-	303-05033	305-05033	306-05033	-	-	-
300-15086	304-15086	307-15086	303-05086	305-05086	306-05086	303-15086	305-15086	306-15086
-	-	-	303-05093	305-05093	306-05093	-	-	-
-	-	-	-	-	-	-	-	-
300-15202	304-15202	307-15202	303-05202	305-05202	306-05202	303-15202	305-15202	306-15202
300-15302	304-15302	307-15302	303-05302	305-05302	306-05302	303-15302	305-15302	306-15302
-	-	-	<i>Montage à pivot à levier en pièces détachées</i>			-	-	-
300-15038	304-15038	307-15038	303-05038	305-05038	306-05038	303-15038	305-15038	306-15038
300-15138	304-15138	307-15138	303-05138	305-05138	306-05138	303-15138	305-15138	306-15138
300-15538	304-15538	307-15538	303-05538	305-05538	306-05538	303-15538	305-15538	306-15538
300-15638	304-15638	307-15638	303-05638	305-05638	306-05638	303-15638	305-15638	306-15638
-	-	-	<i>Montage à pivot à levier en pièces détachées</i>			-	-	-
300-15135	304-15135	307-15135	303-05135	305-05135	306-05135	303-15135	305-15135	306-15135
300-15154	304-15154	307-15154	303-05154	305-05154	306-05154	303-15154	305-15154	306-15154
300-15405	304-15405	307-15405	303-05405	305-05405	306-05405	303-15405	305-15405	306-15405
300-15020	304-15020	307-15020	303-05020	305-05020	306-05020	303-15020	305-15020	306-15020
300-15021	304-15021	307-15021	303-05021	305-05021	306-05021	303-15021	305-15021	306-15021
300-15045	304-15045	307-15045	303-05045	305-05045	306-05045	303-15045	305-15045	306-15045
-	-	-	303-05061	305-05061	306-05061	-	-	-
300-15141	304-15141	307-15141	303-05141	305-05141	306-05141	303-15141	305-15141	306-15141
300-15134	304-15134	307-15134	303-05134	305-05134	306-05134	303-15134	305-15134	306-15134
300-15022	304-15022	307-15022	303-05022	305-05022	306-05022	303-15022	305-15022	306-15022
300-15023	304-15023	307-15023	303-05023	305-05023	306-05023	303-15023	305-15023	306-15023
-	-	-	303-05058	305-05058	306-05058	-	-	-
300-15153	304-15153	307-15153	303-05153	305-05153	306-05153	303-15153	305-15153	306-15153
300-15024	304-15024	307-15024	303-05024	305-05024	306-05024	303-15024	305-15024	306-15024
300-15025	304-15025	307-15025	303-05025	305-05025	306-05025	303-15025	305-15025	306-15025
300-15029	304-15029	307-15029	303-05029	305-05029	306-05029	303-15029	305-15029	306-15029
300-15085	304-15085	307-15085	303-05085	305-05085	306-05085	303-15085	305-15085	306-15085
300-15049	304-15049	307-15049	303-05049	305-05049	306-05049	303-15049	305-15049	306-15049
-	-	-	303-05107	305-05107	306-05107	-	-	-

# EAW Pivot Mounts for Bolt Action Rifles

Complete Mounts Ø 34 mm  
(Spare parts you will find on page 90)

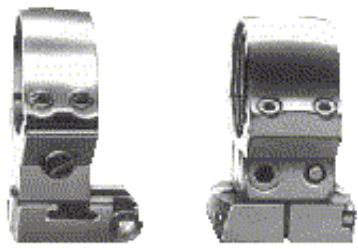
## Montages à pivot EAW pour carabines à répétition

Montages complets Ø34 mm  
(Pour pièces de rechange, voir page 90)

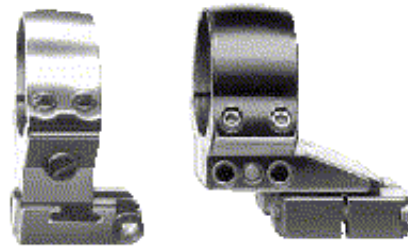


Mod. 304 Magn.

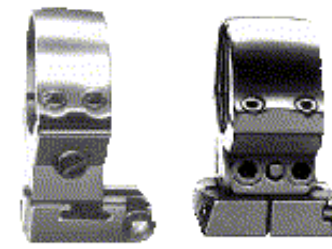
	Model/Modèle	304 Magn.	305 Magn.	304 XS	305 XS
BH	Height above receiver head Hauteur sur la tête de boîte de culasse	19 mm	19 mm	19 mm	19 mm
		Ref.	Ref.	Ref.	Ref.
All small-bore rifles (KK) with 11 mm prism	screws having metric thread $\aleph$	304-17001	305-17001	-	-
Anschütz KK and others with 11 mm prism	screws having English thread $\aleph$	304-17026	305-17026	-	-
Antonio Zoli	1900	304-17305	305-17305	304-37305	305-37305
	drilling, BBF, SP 90-95				
A Square	bolt action rifle/répét. 416 Rigby	-	-	304-37158	305-37158
Blaser	R 93				
BRNO	ZKM, Fox, CZ 527, Hornet, 16 mm prism/e	304-17041	305-17041	-	-
	ZKK, 600, 601, 602, CZ 550, CZ 537, 19 mm prism/e	$\aleph$ 304-17047	-	-	-
BSA	bolt action rifle/répét.	304-17027	305-17027	304-37027	305-37027
Carl Gustav	1900, 1896, without bulb/sans œillette	304-17005	305-17005	304-37005	305-37005
	1900, 1896, with bulb/avec œillette	304-17105	305-17105	304-37105	305-37105
	2000	304-17094	305-17094	304-37094	305-37094
	3000	304-17215	305-17215	304-37215	305-37215
	4000	304-17259	305-17259	304-37259	305-37259
Chapuis	Gévaudan 2000	304-17250	305-17250	304-37250	305-37250
	double rifle/carabine juxtaposée	-	-	-	-
Churchill	High London	304-17123	305-17123	304-37123	305-37123
CZ	see/voir BRNO				
Dumoulin	A-2000, Fortress	304-17165	305-17165	-	-
Fias	Churchill	304-17112	305-17112	304-37112	305-37112
FN Browning	BAR I, BAR II, CBL, Acera	304-17003	305-17003	304-37003	305-37003
	BLR, CLR 81	304-17103	305-17103	304-37103	305-37103
	Browning Mauser Sniper	304-17004	305-17004	304-37004	305-37004
	A-bolt	304-17002	305-17002	304-37002	305-37002
	European	304-17143	305-17143	304-37143	305-37143
	1885 with octag. barrel/avec canon octog.	304-17162	305-17162	304-37162	305-37162
Grünig & Elmiger	bolt action rifle/répét.	304-17089	305-17089	304-37089	305-37089
Heckler & Koch	SL 7 and others/et autres	304-17087	-	-	-
	SLB 2000	304-17187	305-17187	304-37187	305-37187
Helenic	bolt action rifle/répét.	304-17104	305-17104	304-37104	305-37104
Heym	SR 20	304-17060	305-17060	304-37060	305-37060
	SR 30	304-17206	305-17206	304-37206	305-37206
	SR 40	304-17108	305-17108	-	-
	Express	304-17120	305-17120	304-37120	305-37120
	Varmint	304-17160	305-17160	-	-
	BBF 22 S 2, 25				
Kepplinger	Jägerbüchse	304-17128	305-17128	-	-
Kettner	bolt action rifle/répét. L 83	304-17149	305-17149	304-37149	305-37149
	BBF 2000				
Kind	Hubertus B M 113 b.a. rifle/répét.	304-17142	305-17142	-	-
Konksberg	bolt action rifle/répét. 393	304-17239	305-17239	304-37239	305-37239
Krico	700, 900, 902 Deluxe	304-17006	305-17006	304-37006	305-37006
	300, 400	304-17066	305-17066	-	-
	600	304-17106	305-17106	-	-
Krieghoff	drilling				
Lakelander	bolt action rifle/répét. 389	304-17139	305-17139	304-37139	305-37139
Luger	bolt action rifle/répét.	304-17205	305-17205	304-37205	305-37205
	Mini	304-17207	305-17207	-	-
Marlin	94, 336, 444 CL, No. 9, AS 30, 922, 45	304-17036	305-17036	304-37036	305-37036
	455	304-17111	305-17111	304-37111	305-37111
	MR 7	304-17169	305-17169	304-37169	305-37169
Mauser	2000	304-17007	305-17007	304-37007	305-37007
	4000	304-17008	305-17008	-	-
	66	304-17009	305-17009	304-37009	305-37009
	K 98, without bulb/sans œillette	304-17010	305-17010	304-37010	305-37010
	K 98, with bulb/avec œillette	304-17110	305-17110	304-37110	305-37110
	M 98	304-17098	305-17098	304-37098	305-37098
	77	304-17063	305-17063	-	-
	226 Titan	304-17122	305-17122	304-37122	305-37122
	225 Titan	304-17145	305-17145	304-37145	305-37145
	201 KK	304-17126	305-17126	-	-
	86	304-17129	305-17129	-	-
	M 94, M 96 up to serial no. → 96011999	304-17156	305-17156	304-37156	305-37156
	M 96 from serial no. ↗ 96012000, M 97	304-17256	305-17256	304-37256	305-37256
McMillan	M 88 rear dist. betw. boreholes- 21,9 mm	304-17144	305-17144	304-37144	305-37144
	M 88 rear dist. betw. boreholes- 15,87 mm	304-17146	305-17146	304-37146	305-37146



Mod. 305 Magn.



Mod. 304 XS



Mod. 305 XS

	Model/Modèle	304 Magn.	305 Magn.	304 XS	305 XS
BH	Height above receiver head Hauteur sur la tête de boîte de culasse	19 mm	19 mm	19 mm	19 mm
		Ref.	Ref.	Ref.	Ref.
Musgrave	M 83, 90, 94	304-17124	305-17124	304-37124	305-37124
	K 98Pls. indicate rear dist. betw. boreh. ↗	304-17184	305-17184	304-37184	305-37184
Parker Hale	Safari 1200	304-17011	305-17011	304-37011	305-37011
	Midland	304-17062	305-17062	-	-
Remington	700, 78	304-17012	305-17012	304-37012	305-37012
	742, 760	304-17013	305-17013	-	-
	600, 660	304-17032	305-17032	-	-
	4/7400, 6/7600	304-17074	305-17074	304-37074	305-37074
	Seven	304-17078	305-17078	-	-
	40-XB	304-17079	305-17079	304-37079	305-37079
Ruger	44 Magnum	304-17028	305-17028	-	-
	M1 with barrel rib/avec bande	↖ 504-17071	↖ 505-17071	-	-
	M77 Round Top/Boîte ronde	↖ 504-17080	↖ 505-17080	-	-
RWS	M 89 (Sicherheitsbüchse from/deDN)	304-17223	305-17223	304-37223	305-37223
Sabatti	bolt action rifle/répét.	304-17155	305-17155	304-37155	305-37155
Sako	75 Vixen, L 461, S 491, A I	304-17114	305-17114	-	-
	75 Forester, Varmint, L 579, M 591, A II	304-17214	305-17214	304-37214	305-37214
	75 Finnbear, L 61R, L691, M 995, A III/IV/V	304-17314	305-17314	304-37314	305-37315
	TRG 21/41, 22/42	304-17238	305-17238	304-37238	305-37238
Santa Barbara	bolt action rifle/répét.	304-17044	305-17044	304-37044	305-37044
Sauer	80, 90, SSG 2000	304-17015	305-17015	304-37015	305-37015
	SR 200	304-17059	305-17059	304-37059	305-37059
	202	304-17659	305-17659	304-37659	305-37659
	STR	↖ 504-17959	↖ 505-17959	-	-
	drilling 3000			<i>Montage à pivot à levier en pièces détachées</i>	
Savage	110, 112, 116	304-17016	305-17016	304-37016	305-37016
	99 C	304-17163	305-17163	-	-
Schweizer Karabiner	31	304-17073	305-17073	-	-
Schultz & Larsen	Mod. 84	304-17084	305-17084	304-37084	305-37084
	68 DL, M 100	304-17099	305-17099	304-37099	305-37099
Shilen		304-17088	305-17088	-	-
Smith & Wesson	1500	304-17091	305-17091	304-37091	305-37091
Steyr	Mannlicher SL	304-17017	305-17017	-	-
	Mannlicher S, Jagdmatch L/SL, SBS 96	304-17018	305-17018	304-37018	305-37018
	Mannlicher Schönauer 72	304-17019	305-17019	304-37019	305-37019
	SSG, Sporter 18 mm prism/e	304-17033	305-17033	304-37033	305-37033
	Mannlicher M, Luxus L, M, S,	304-17086	305-17086	304-37086	305-37086
	Mannlicher L	304-17093	305-17093	-	-
	Mannlicher Schönauer GK	↖ 504-17034	-	-	-
	SBS 96 CSP L/M, Pro Hunter L/M	304-17202	305-17202	304-37202	305-37202
	SBS 96 CSP S, Pro Hunter S	304-17302	305-17302	304-37302	305-37302
Suhler	drilling			<i>Montage à pivot à levier en pièces détachées</i>	
Tikka	M 76, M/LS 65, M/LS 55	304-17038	305-17038	-	-
	558, 590, 658, 690, Pupular, Continental	304-17138	305-17138	304-37138	305-37138
	M 595	304-17538	305-17538	304-37538	305-37538
	M 695	304-17638	305-17638	304-37638	305-37638
Tikka Italia	BBF 412, BDB 512			<i>Montage à pivot à levier en pièces détachées</i>	
Unique	Mod. T. G. C	304-17135	305-17135	-	-
Varberger	M 717, 757, 777, Luxus	304-17154	305-17154	304-37154	305-37154
Verney-Carron	Impact Auto	304-17405	305-17405	304-37405	305-37405
Voere	2140 Titan I	304-17020	305-17020	-	-
	2165, Kufstein, 2155	304-17021	305-17021	304-37021	305-37021
	2145 Titan II	304-17045	305-17045	304-37045	305-37045
	Titan Menor	304-17061	305-17061	-	-
	2185 Automat	304-17141	305-17141	-	-
	VEC 91	304-17134	305-17134	-	-
Walther	JR, JRS	304-17022	305-17022	-	-
Weatherby	Mark V, Europa, 300, Vanguard	304-17023	305-17023	304-37023	305-37023
	Junior	304-17058	305-17058	-	-
Weihrauch	HW 60 KK	304-17153	305-17153	-	-
Winchester	70 Standard, 770, Target	304-17024	305-17024	304-37024	305-37024
	88, 100	304-17025	305-17025	-	-
	70 Magn.- rear dist. betw.boreholes· 11 mm	304-17029	305-17029	304-37029	305-37029
	70 Magn.- rear dist. betw.bor.· 8,3 mm, XTR	304-17085	305-17085	304-37085	305-37085
Zastava	70	304-17049	305-17049	304-37049	305-37049
	Mini Mauser	304-17107	305-17107	-	-

↖ Toutes armes de petit calibre (KK) à prisme de 11 mm, avec vis à filetage métrique  
↗ KK Anschütz et autres à prisme de 11 mm, avec vis à filetage américain

↖ distance entre les taraudages AR  
→ jusqu'au no. de série

↗ à partir du no. de série  
↘ Veuillez indiquer la distance  
entre les taraudages AR